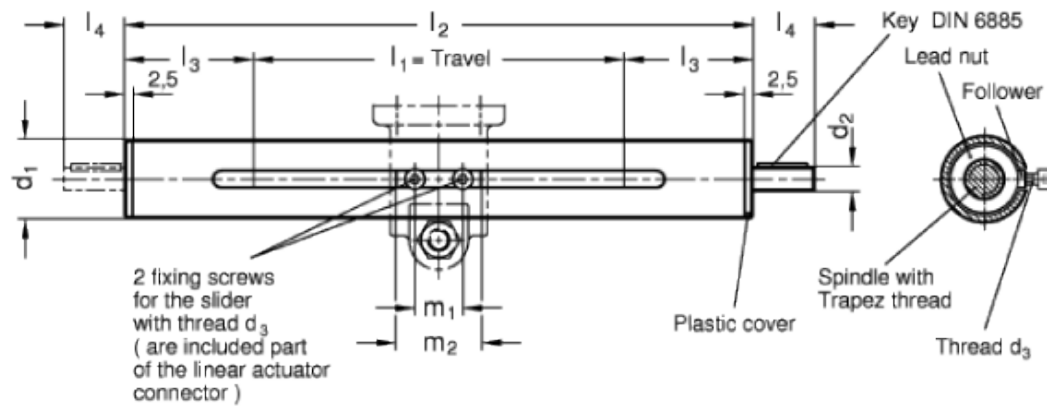


# GN 291

Linear actuators



## technical informations

### Material

Guide tube, precision steel tube, chrome-plated SCR, DIN 2391.

### Trapezoidal thread on shaft

Steel thrust ball bearings.

### Follower nut

Gun metal.

### End caps

Plastic.

### Types

- Type R1: Right hand thread, single shaft end only.
- Type R2\*: Right hand thread, two shaft ends.
- Type L1: Left hand thread, single shaft end only.
- Type L2\*: Left hand thread, two shaft ends.

### Assembly

Sliders, connector clamps and accessories have to be ordered separately.

### Features and applications

In addition to the standard travel lengths specified in the above table for linear actuator GN 291 any length inside the maximum length is available.

Besides the extensive range of tube clamp connectors there are a number of additional components for mounting on the linear actuator to build slider units.

In order to measure the movement and positioning of the sliders, digital as well as analogue position indicators can be added.

### Accessories

- Housings GN 298.
- Bevel gear wheels GN 297.
- Installation kits for linear actuators GN 295.
- Longitudinal scales GN 299.

### Special executions on request (For sufficient quantities)

Guide tube, precision AISI 303 stainless steel NI, DIN 2462 (all types).

Standard Elements	Main dimensions											Shaft key spring	Weight
Description	d <sub>1</sub>	l <sub>1</sub> Travel (standard lengths)	max. travel*	shaft thread	d <sub>2</sub> f7	d <sub>3</sub>	l <sub>2</sub>	l <sub>3</sub>	l <sub>4</sub>	m <sub>1</sub>	m <sub>2</sub>	DIN 6885	g
GN 291-18-65-R1-SCR	18	65	350	TR10x3	6	M 3	l <sub>1+140</sub>	70	16	17	24	A2x2x12	230
GN 291-18-165-R1-SCR	18	165	350	TR10x3	6	M 3	l <sub>1+140</sub>	70	16	17	24	A2x2x12	330
GN 291-18-265-R1-SCR	18	265	350	TR10x3	6	M 3	l <sub>1+140</sub>	70	16	17	24	A2x2x12	430
GN 291-30-100-R1-SCR	30	100	1250	TR14x4	8	M 4	l <sub>1+205</sub>	102.5	16	23	38	A2x2x12	780
GN 291-30-150-R1-SCR	30	150	1250	TR14x4	8	M 4	l <sub>1+205</sub>	102.5	16	23	38	A2x2x12	890
GN 291-30-200-R1-SCR	30	200	1250	TR14x4	8	M 4	l <sub>1+205</sub>	102.5	16	23	38	A2x2x12	1000
GN 291-30-300-R1-SCR	30	300	1250	TR14x4	8	M 4	l <sub>1+205</sub>	102.5	16	23	38	A2x2x12	1210
GN 291-40-70-R1-SCR	40	70	1570	TR20x4	12	M 5	l <sub>1+235</sub>	117.5	17	42	54	A4x4x12	1640
GN 291-40-170-R1-SCR	40	170	1570	TR20x4	12	M 5	l <sub>1+235</sub>	117.5	17	42	54	A4x4x12	2080
GN 291-40-220-R1-SCR	40	220	1570	TR20x4	12	M 5	l <sub>1+235</sub>	117.5	17	42	54	A4x4x12	2310
GN 291-40-270-R1-SCR	40	270	1570	TR20x4	12	M 5	l <sub>1+235</sub>	117.5	17	42	54	A4x4x12	2530
GN 291-40-320-R1-SCR	40	320	1570	TR20x4	12	M 5	l <sub>1+235</sub>	117.5	17	42	54	A4x4x12	2750
GN 291-50-65-R1-SCR	50	65	1565	TR20x4	12	M 6	l <sub>1+240</sub>	120	18	42	54	A4x4x12	2410
GN 291-50-115-R1-SCR	50	115	1565	TR20x4	12	M 6	l <sub>1+240</sub>	120	18	42	54	A4x4x12	2720
GN 291-50-215-R1-SCR	50	215	1565	TR20x4	12	M 6	l <sub>1+240</sub>	120	18	42	54	A4x4x12	3360

GN 291-50-265-R1-SCR	50	265	1565	TR20x4	12	M 6	1 <sub>1+240</sub>	120	18	42	54	A4x4x12	3670
GN 291-50-315-R1-SCR	50	315	1565	TR20x4	12	M 6	1 <sub>1+240</sub>	120	18	42	54	A4x4x12	3990
GN 291-60-220-R1-SCR	60	220	1520	TR24x4	14	M 8	1 <sub>1+285</sub>	142.5	19	58	70	A5x5x16	5300
GN 291-60-720-R1-SCR	60	720	1520	TR24x4	14	M 8	1 <sub>1+285</sub>	142.5	19	58	70	A5x5x16	9920
GN 291-18-65-L1-SCR	18	65	350	TR10x3	6	M 3	1 <sub>1+140</sub>	70	16	17	24	A2x2x12	3200
GN 291-18-165-L1-SCR	18	165	350	TR10x3	6	M 3	1 <sub>1+140</sub>	70	16	17	24	A2x2x12	3300
GN 291-18-265-L1-SCR	18	265	350	TR10x3	6	M 3	1 <sub>1+140</sub>	70	16	17	24	A2x2x12	4300
GN 291-30-100-L1-SCR	30	100	1250	TR14x4	8	M 4	1 <sub>1+205</sub>	102.5	16	23	38	A2x2x12	7800
GN 291-30-150-L1-SCR	30	150	1250	TR14x4	8	M 4	1 <sub>1+205</sub>	102.5	16	23	38	A2x2x12	8900
GN 291-30-200-L1-SCR	30	200	1250	TR14x4	8	M 4	1 <sub>1+205</sub>	102.5	16	23	38	A2x2x12	10000
GN 291-30-300-L1-SCR	30	300	1250	TR14x4	8	M 4	1 <sub>1+205</sub>	102.5	16	23	38	A2x2x12	12100
GN 291-40-70-L1-SCR	40	70	1570	TR20x4	12	M 5	1 <sub>1+235</sub>	117.5	17	42	54	A4x4x12	16400
GN 291-40-170-L1-SCR	40	170	1570	TR20x4	12	M 5	1 <sub>1+235</sub>	117.5	17	42	54	A4x4x12	20800
GN 291-40-220-L1-SCR	40	220	1570	TR20x4	12	M 5	1 <sub>1+235</sub>	117.5	17	42	54	A4x4x12	23100
GN 291-40-270-L1-SCR	40	270	1570	TR20x4	12	M 5	1 <sub>1+235</sub>	117.5	17	42	54	A4x4x12	25300
GN 291-40-320-L1-SCR	40	320	1570	TR20x4	12	M 5	1 <sub>1+235</sub>	117.5	17	42	54	A4x4x12	27500
GN 291-50-65-L1-SCR	50	65	1565	TR20x4	12	M 6	1 <sub>1+240</sub>	120	18	42	54	A4x4x12	4620
GN 291-50-115-L1-SCR	50	115	1565	TR20x4	12	M 6	1 <sub>1+240</sub>	120	18	42	54	A4x4x12	2720
GN 291-50-215-L1-SCR	50	215	1565	TR20x4	12	M 6	1 <sub>1+240</sub>	120	18	42	54	A4x4x12	3360
GN 291-50-265-L1-SCR	50	265	1565	TR20x4	12	M 6	1 <sub>1+240</sub>	120	18	42	54	A4x4x12	3670
GN 291-50-315-L1-SCR	50	315	1565	TR20x4	12	M 6	1 <sub>1+240</sub>	120	18	42	54	A4x4x12	3990
GN 291-60-220-L1-SCR	60	220	1520	TR24x4	14	M 8	1 <sub>1+285</sub>	142.5	19	58	70	A5x5x16	5300
GN 291-60-720-L1-SCR	60	720	1520	TR24x4	14	M 8	1 <sub>1+285</sub>	142.5	19	58	70	A5x5x16	9920
GN 291-18-65-R2-SCR	18*	65	350	TR10x3	6	M 3	1 <sub>1+140</sub>	70	16	17	24	A2x2x12	2300
GN 291-18-165-R2-SCR	18*	165	350	TR10x3	6	M 3	1 <sub>1+140</sub>	70	16	17	24	A2x2x12	3300
GN 291-18-265-R2-SCR	18*	265	350	TR10x3	6	M 3	1 <sub>1+140</sub>	70	16	17	24	A2x2x12	4300
GN 291-30-100-R2-SCR	30*	100	1250	TR14x4	8	M 4	1 <sub>1+205</sub>	102.5	16	23	38	A2x2x12	7800
GN 291-30-150-R2-SCR	30*	150	1250	TR14x4	8	M 4	1 <sub>1+205</sub>	102.5	16	23	38	A2x2x12	8900
GN 291-30-200-R2-SCR	30*	200	1250	TR14x4	8	M 4	1 <sub>1+205</sub>	102.5	16	23	38	A2x2x12	10000
GN 291-30-300-R2-SCR	30*	300	1250	TR14x4	8	M 4	1 <sub>1+205</sub>	102.5	16	23	38	A2x2x12	12100

GN 291-40-70-R2-SCR	40*	70	1570	TR20x4	12	M 5	1 <sub>1+235</sub>	117.5	17	42	54	A4x4x12	1640
GN 291-40-170-R2-SCR	40*	170	1570	TR20x4	12	M 5	1 <sub>1+235</sub>	117.5	17	42	54	A4x4x12	2080
GN 291-40-220-R2-SCR	40*	220	1570	TR20x4	12	M 5	1 <sub>1+235</sub>	117.5	17	42	54	A4x4x12	2310
GN 291-40-270-R2-SCR	40*	270	1570	TR20x4	12	M 5	1 <sub>1+235</sub>	117.5	17	42	54	A4x4x12	2530
GN 291-40-320-R2-SCR	40*	320	1570	TR20x4	12	M 5	1 <sub>1+235</sub>	117.5	17	42	54	A4x4x12	2750
GN 291-50-65-R2-SCR	50*	65	1565	TR20x4	12	M 6	1 <sub>1+240</sub>	120	18	42	54	A4x4x12	4620
GN 291-50-115-R2-SCR	50*	115	1565	TR20x4	12	M 6	1 <sub>1+240</sub>	120	18	42	54	A4x4x12	2720
GN 291-50-215-R2-SCR	50*	215	1565	TR20x4	12	M 6	1 <sub>1+240</sub>	120	18	42	54	A4x4x12	3360
GN 291-50-265-R2-SCR	50*	265	1565	TR20x4	12	M 6	1 <sub>1+240</sub>	120	18	42	54	A4x4x12	3670
GN 291-50-315-R2-SCR	50*	315	1565	TR20x4	12	M 6	1 <sub>1+240</sub>	120	18	42	54	A4x4x12	3990
GN 291-60-220-R2-SCR	60*	220	1520	TR24x4	14	M 8	1 <sub>1+280</sub>	142.5	19	58	70	A5x5x16	5300
GN 291-60-720-R2-SCR	60*	720	1520	TR24x4	14	M 8	1 <sub>1+285</sub>	142.5	19	58	70	A5x5x16	9920
GN 291-18-65-L2-SCR	18*	65	350	TR10x3	6	M 3	1 <sub>1+140</sub>	70	16	17	24	A2x2x12	2300
GN 291-18-165-L2-SCR	18*	165	350	TR10x3	6	M 3	1 <sub>1+140</sub>	70	16	17	24	A2x2x12	3300
GN 291-18-265-L2-SCR	18*	265	350	TR10x3	6	M 3	1 <sub>1+140</sub>	70	16	17	24	A2x2x12	4300
GN 291-30-100-L2-SCR	30*	100	1250	TR14x4	8	M 4	1 <sub>1+205</sub>	102.5	16	23	38	A2x2x12	7800
GN 291-30-150-L2-SCR	30*	150	1250	TR14x4	8	M 4	1 <sub>1+205</sub>	102.5	16	23	38	A2x2x12	8900
GN 291-30-200-L2-SCR	30*	200	1250	TR14x4	8	M 4	1 <sub>1+205</sub>	102.5	16	23	38	A2x2x12	10000
GN 291-30-300-L2-SCR	30*	300	1250	TR14x4	8	M 4	1 <sub>1+205</sub>	102.5	16	23	38	A2x2x12	12100
GN 291-40-70-L2-SCR	40*	70	1570	TR20x4	12	M 5	1 <sub>1+235</sub>	117.5	17	42	54	A4x4x12	1640
GN 291-40-170-L2-SCR	40*	170	1570	TR20x4	12	M 5	1 <sub>1+235</sub>	117.5	17	42	54	A4x4x12	2080
GN 291-40-220-L2-SCR	40*	220	1570	TR20x4	12	M 5	1 <sub>1+235</sub>	117.5	17	42	54	A4x4x12	2310
GN 291-40-270-L2-SCR	40*	270	1570	TR20x4	12	M 5	1 <sub>1+235</sub>	117.5	17	42	54	A4x4x12	2530
GN 291-40-320-L2-SCR	40*	320	1570	TR20x4	12	M 5	1 <sub>1+235</sub>	117.5	17	42	54	A4x4x12	2750
GN 291-50-65-L2-SCR	50*	65	1565	TR20x4	12	M 6	1 <sub>1+240</sub>	120	18	42	54	A4x4x12	4620
GN 291-50-115-L2-SCR	50*	115	1565	TR20x4	12	M 6	1 <sub>1+240</sub>	120	18	42	54	A4x4x12	2720
GN 291-50-215-L2-SCR	50*	215	1565	TR20x4	12	M 6	1 <sub>1+240</sub>	120	18	42	54	A4x4x12	3360
GN 291-50-265-L2-SCR	50*	265	1565	TR20x4	12	M 6	1 <sub>1+240</sub>	120	18	42	54	A4x4x12	3670
GN 291-50-315-L2-SCR	50*	315	1565	TR20x4	12	M 6	1 <sub>1+240</sub>	120	18	42	54	A4x4x12	3990
GN 291-60-220-L2-SCR	60*	220	1520	TR24x4	14	M 8	1 <sub>1+285</sub>	142.5	19	58	70	A5x5x16	5300

GN 291-60-720-L2- SCR	60*	720	1520	TR24x4	14	M 8	1+285	142.5	19	58	70	A5x5x16	992
--------------------------	-----	-----	------	--------	----	-----	-------	-------	----	----	----	---------	-----

\* usually not available from stock

---



STANDARD MACHINE ELEMENTS WORLDWIDE